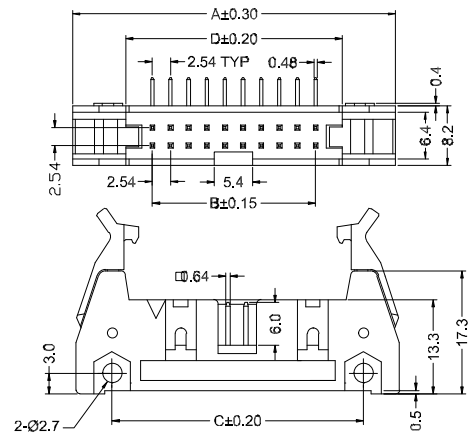
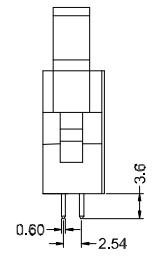
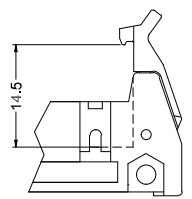
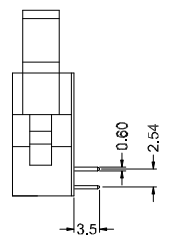


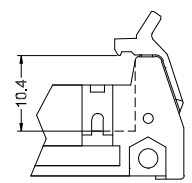
Straight Type



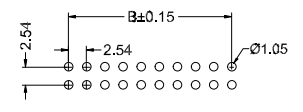
Right Angle Type



Long Lever



Short Lever



P.C.B Layout

材质 Material:

绝缘体 Insulator: Glass filled PBT UL94V-0 ,Black

接触件 Contacts: Brass

电镀层 Plating:Contact Gold and Dip Tin over Nickel

电气性能 Electrical Characteristics:

接触电阻 Contact Resistance: 30mΩmax. at DC 100mA

绝缘电阻 Insulator Resistance: 1000MΩmin. at 500V DC

耐压 Withstanding Voltage: 1000V AC/rms 50Hz For 1 minute

工作电流 Current Rating: 2 AMP

使用温度范围 Operating Temperature: -55℃ ~ +105℃

Dimension

| position | A | B | C | D |
|----------|--------|-------|-------|-------|
| 06 | 26.86 | 5.08 | 16.76 | 12.76 |
| 08 | 29.40 | 7.62 | 19.30 | 15.30 |
| 10 | 31.94 | 10.16 | 21.84 | 17.84 |
| 14 | 37.02 | 15.24 | 26.92 | 22.92 |
| 16 | 39.56 | 17.78 | 29.46 | 25.46 |
| 20 | 44.64 | 22.86 | 34.54 | 30.54 |
| 26 | 52.26 | 30.48 | 42.16 | 38.16 |
| 30 | 57.34 | 35.56 | 47.24 | 43.24 |
| 34 | 62.42 | 40.64 | 52.32 | 48.32 |
| 40 | 70.04 | 48.26 | 59.94 | 55.94 |
| 50 | 82.74 | 60.96 | 72.64 | 68.64 |
| 60 | 95.44 | 73.66 | 85.34 | 81.34 |
| 64 | 100.52 | 78.74 | 90.42 | 86.42 |

| | | | | | | | | | | | |
|--------------|-------------|---|------|--------------------------------------|-----|-------------|--|------|--|---|----|
| TITLE | | EJECTOR HEADER 2.54mm DC2型牛角插针 (半金锡) | | GENERAL TOLERANCE | | DRAWN BY | | DATE | | CHIZON CHIZON(CI XI) ELECTRONIC CO.,LTD. 啓宸(慈溪)電子有限公司 | |
| SERIES | | QC201 | | x. : ±0.3 x.x: ±0.2 x.xx: ±0.1 | | CHECKED BY | | DATE | | | |
| CUSTOMER P/N | | | | ANGLE TOLERANCE | | APPROVED BY | | DATE | | DRAWING NO. | |
| UNITS | | mm | | x. : ±2° x.x: ±1° x.xx: ±0.5° | | | | | | SHEET 1 OF 1 | |
| SCALE | | 1:1 | | PROJECTION | | | | | | SHEET SIZE A4 | |
| SCALE | DESCRIPTION | CHK | DATE | SCALE | 1:1 | | | | | REV. | AO |