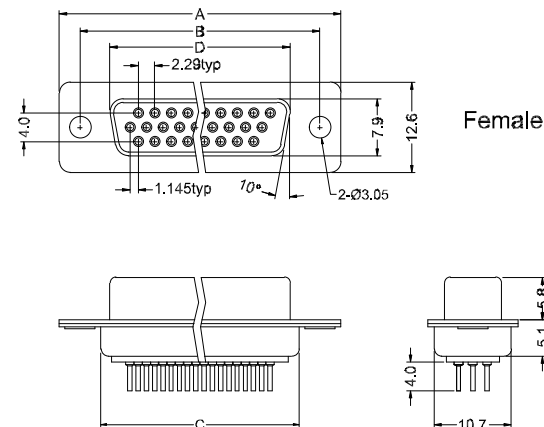


Male



Female

材质 Material:

绝缘体 Insulator: Glass filled PBT UL94V-0 ,Blue

接触件 Contacts: Brass or Phosphor Bronze

电镀层 Plating: Whole Gold plated over Nickel

电气性能 Electrical Characteristics:

接触电阻 Contact Resistance: 30mΩmax. at DC 100mA

绝缘电阻 Insulator Resistance: 1000MΩmin. at 500V DC

耐压 Withstanding Voltage: 1000V AC/rms 50Hz For 1 minute

工作电流 Current Rating: 3 AMP

使用温度范围 Operating Temperature: -40℃ ~ +105℃

常规表达: HDP-15M (15F)

Dimension

Position	A	B	C	D(M)	D(F)
15	30.81	24.99	19.36	16.92	16.33
26	39.14	33.32	27.64	25.25	24.66
44	53.04	47.04	41.08	38.96	38.38
62	69.32	63.50	57.38	55.42	54.84

TITLE		D-SUB H.DIP STRAIGHTTYPE		GENERAL TOLERANCE		DRAWN BY		DATE		CHIZON CHIZON(CI XI) ELECTRONIC CO.,LTD. 啓宸(慈溪)電子有限公司	
SERIES		QC8005		x. : ±0.3 x.x: ±0.2 x.xx: ±0.1		CHECKED BY		DATE			
CUSTOMER P/N				ANGLE TOLERANCE		APPROVED BY		DATE		DRAWING NO.	
UNITS		mm		x. : ±2° x.x: ±1° x.xx: ±0.5°		G.x.zhang				SHEET 1 OF 1	
SCALE	DESCRIPTION	CHK	DATE	SCALE	1:1	PROJECTION				SHEET SIZE A4	
1	2	3	4	5	6	7	8	9	10	11	12