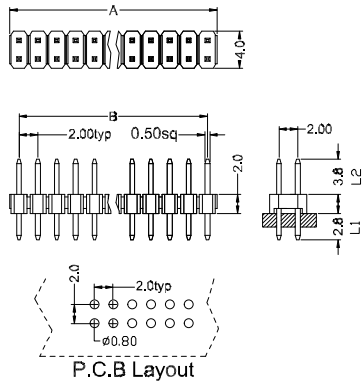
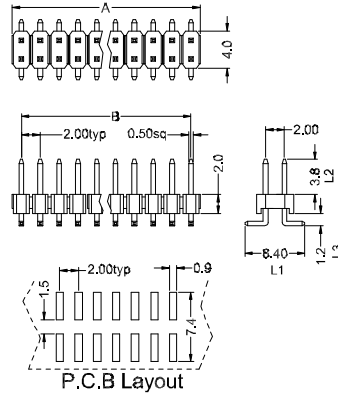


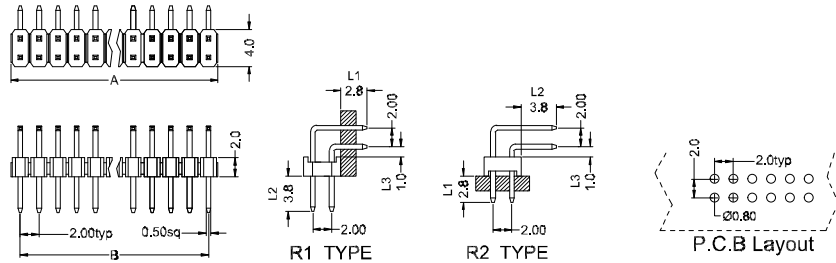
**Straight Type**



**Surface Mount Type**



**Right Angle Type**



**材质 Material:**

绝缘体 Insulator: Glass filled PBT UL94V-0 ,Black

接触件 Contacts: Brass

电镀层 Plating:Whole Gold plated over Nickel

**电气性能 Electrical Characteristics:**

接触电阻 Contact Resistance: 30mΩmax. at DC 100mA

绝缘电阻 Insulator Resistance: 1000MΩmin. at 500V DC

工作电流 Current Rating: 2 AMP

使用温度范围 Operating Temperature: -55°C~+105°C

Position	2 Thru 80
Dimension	
A±0.20	2.00 X No.of Positions
B±0.15	2.00 X No.of Positions -2.00

				TITLE	PIN HEADER 2.0mm 2.0双排插针		GENERAL TOLERANCE		DRAWN BY		DATE		Chizon CHIZON(CI XI) ELECTRONIC CO.,LTD. 啓宸(慈溪)电子有限公司	
				SERIES	QC503-2		x. : ±0.3 x.x: ±0.2 x.xx: ±0.1		CHECKED BY		DATE			
				CUSTOMER P/N			ANGLE TOLERANCE		APPROVED BY		DATE		SHEET 1 OF 1	
SCALE	DESCRIPTION			UNITS	mm	PROJECTION	x. : ±2° x.x: ±1° x.xx: ±0.5°		DRAWING NO.		SHEET SIZE		A4	REV. A0