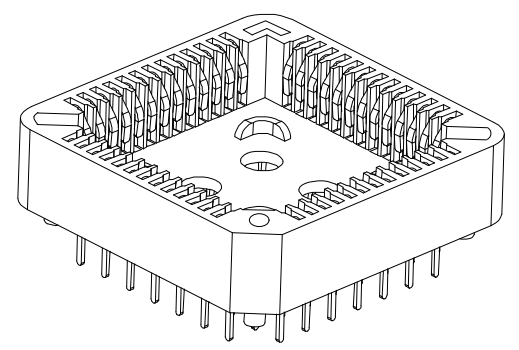


**材质 Material:**

绝缘体 Insulator: Glass filled PPS UL94V-0  
 接触件 Contacts: Phosphor Bronze  
 电镀层 Plating: Whole Tin plated over Nickel

**电气性能 Electrical Characteristics:**

接触电阻 Contact Resistance: 30mΩmax. at DC 100mA  
 绝缘电阻 Insulator Resistance: 100MΩmin. at 500V DC  
 耐压 Withstanding Voltage: 500V AC/rms 50Hz For 1 minute  
 工作电流 Current Rating: 1 AMP  
 使用温度范围 Operating Temperature: -55°C ~ +105°C



Dimension

Position	A	B	C	D
20	15.58	15.58	5.08	5.08
28	18.12	18.12	7.62	7.62
32	18.12	20.66	7.62	10.16
44	23.20	23.20	12.70	12.70
52	25.74	25.74	15.24	15.24
68	30.82	30.82	20.32	20.32
84	35.90	35.90	25.40	25.40

				TITLE		GENERAL TOLERANCE		DRAWN BY		DATE		CHIZON CHIZON(CI XI) ELECTRONIC CO.,LTD. 啓宸(慈溪)電子有限公司					
				PLCC SOCKET		x.: ±0.3 x.x: ±0.2 x.xx: ±0.1		WJ.HUANG		2013.11.18							
				SERIES		ANGLE TOLERANCE		CHECKED BY		DATE							
				CUSTOMER P/N		x.: ±2° x.x: ±1° x.xx: ±0.5°		APPROVED BY		DATE		DRAWING NO.		SHEET 1 OF 1			
				UNITS		mm		PROJECTION		G.x.zhang		SHEET SIZE		A4			
SCALE				DESCRIPTION		CHK		DATE		SCALE		2:1		REV.		A0	